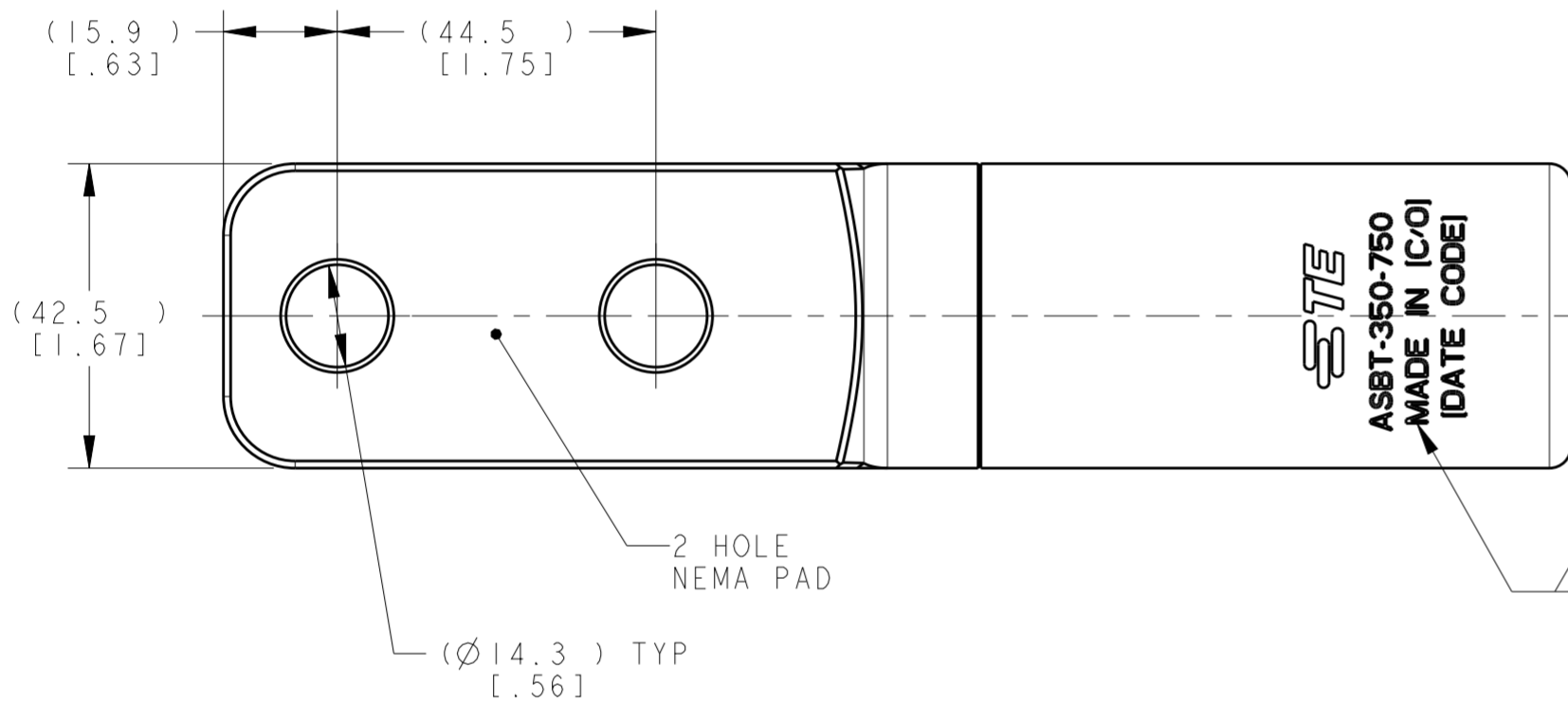
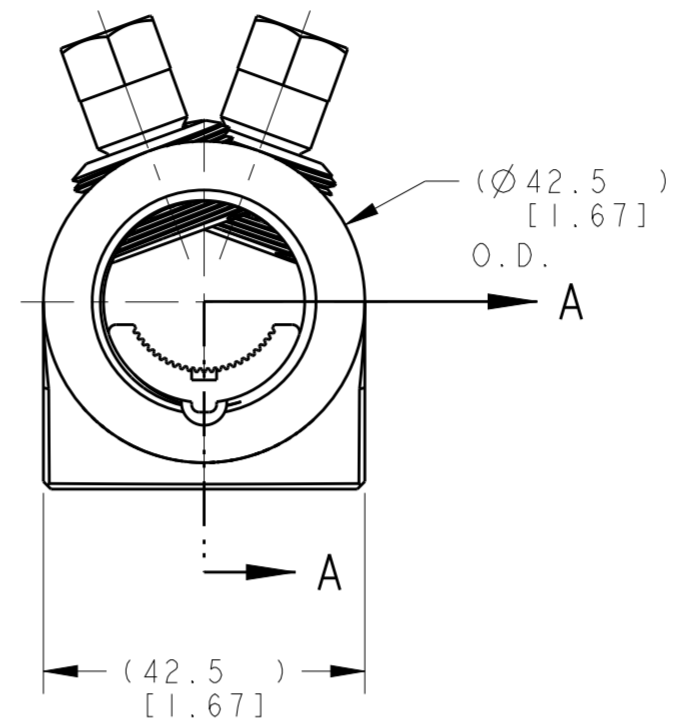
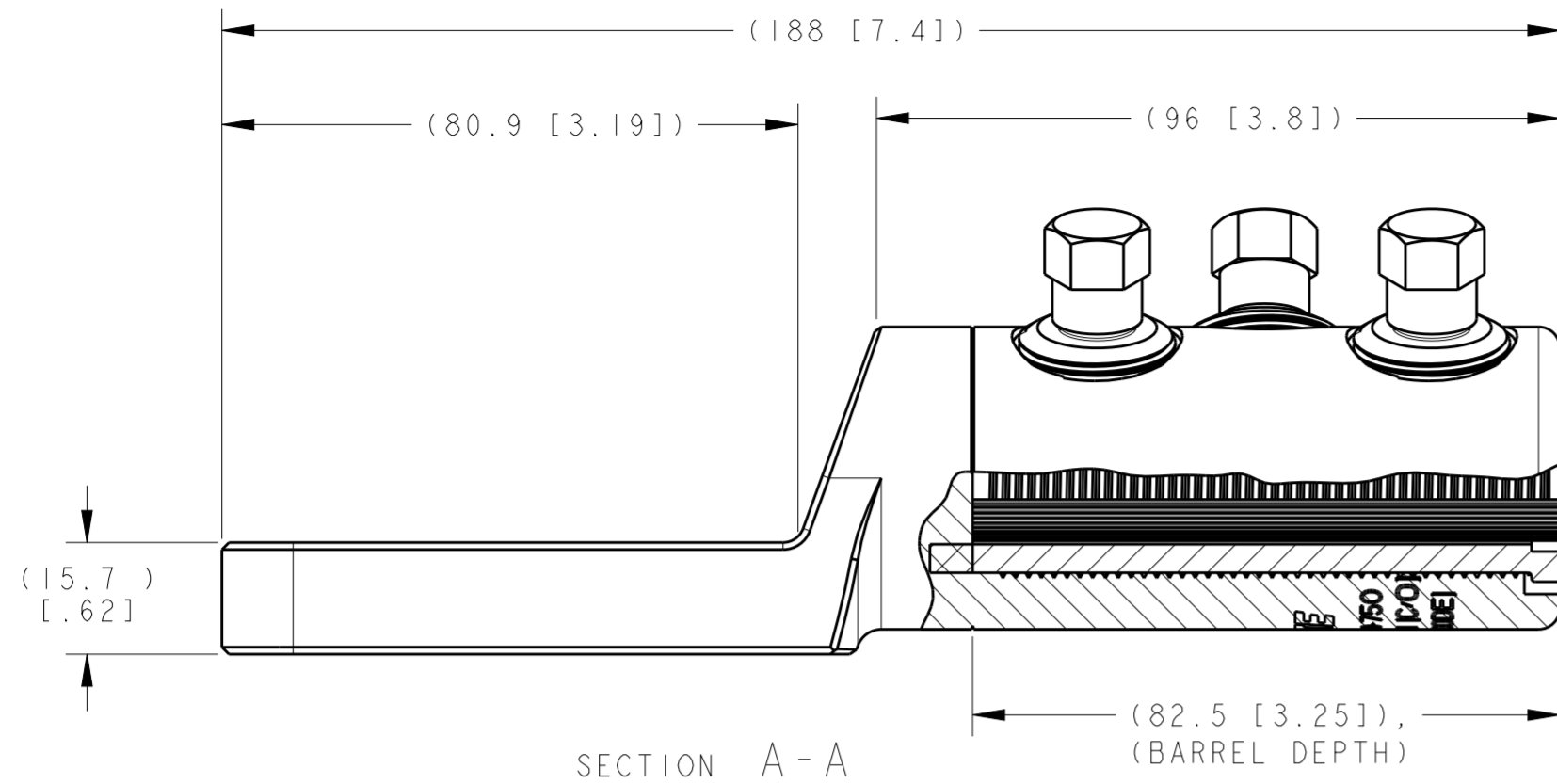
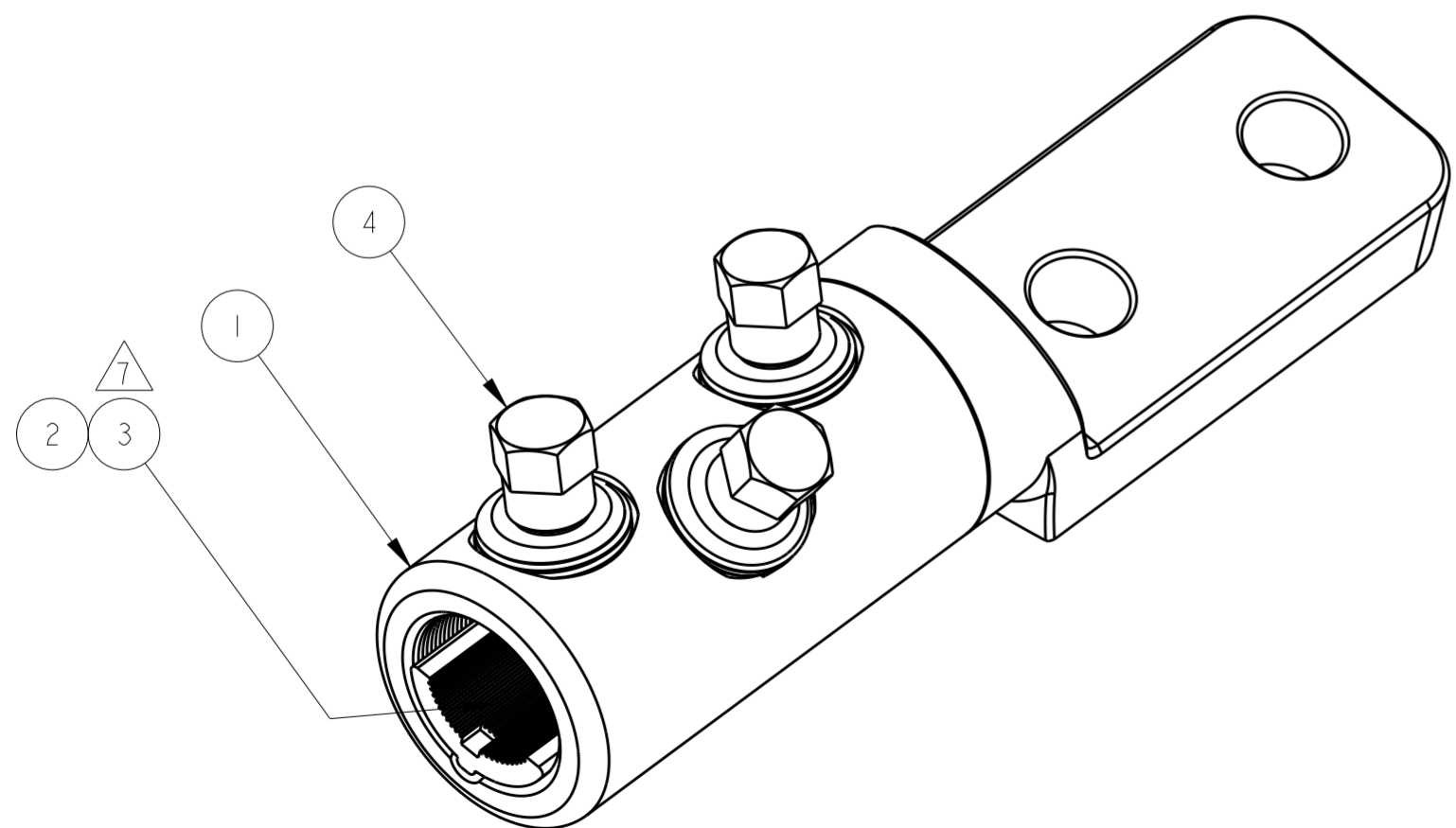


REVISIONS				
P	LTR	DESCRIPTION	DATE	APVD
A		INITIAL REL. PER LC20-0145-08	12JUN2008	DM BJ
B		LC20-0020-09 / ECO-09-011930	23FEB2009	DM BJ
C		LC20-0094-09 / ECO-09-018257	04AUG2009	DM BJ
D		LC20-0080-20 / ECO-20-011173	07AUG2020	DM BJ



- ACCOMMODATES:
350 KCMIL COMPACT STR \varnothing 15.7 [.616 DIA]
TO 750 KCMIL STD STR \varnothing 25.3 [.998 DIA]
ALUMINUM OR COPPER CONDUCTORS.
- MARKING:
STE
ASBT-350-750
MADE IN [COUNTRY OF ORIGIN]
[DATE CODE]
- ALL DIMENSIONS ARE FOR REFERENCE ONLY.
- INSERT SHALL BE REMOVED FOR CONDUCTOR SIZES GREATER THAN 600 KCMIL COMPACT STR \varnothing 20.7 [.813 DIA] CONDUCTORS.
- CONNECTOR CONTAINS FACTORY APPLIED ANTI-OXIDE INHIBITOR.
- FINISH:
ELECTRO-TIN PLATED.
- INSTALL BOLTS WITH 13 mm [1/2 inch] HEX SOCKET.

CM9695-000	ASBT-350-750	1099369-1
RPN	CATALOG NO	PART NO



QTY	DESCRIPTION	ITEM NO
1	INSTALLATION INSTRUCTION SHEET	6
1	ABRASIVE TAPE	5
3	MULTI-SHEAR BOLT, M22 SIZE, ALUMINUM	4
A/R	INHIBITOR	3
1	INSERT, ALUMINUM ALLOY, 350-750 KCMIL, TIN PLATED	2
1	TERMINAL CONNECTOR BODY, ALUMINUM ALLOY, 350-750 KCMIL, TIN PLATED	1

THIS DRAWING IS A CONTROLLED DOCUMENT.

DIMENSIONS: mm [INCH]	TOLERANCES UNLESS OTHERWISE SPECIFIED: 0 PLC ± 1 PLC ± 2 PLC ± 3 PLC ± 4 PLC ± ANGLES ± FINISH	DWN: 05 JUN 2008 D. MURUGIAH CHK: 05 JUN 2008 A. BULZA APVD: 05 JUN 2008 B. JOHNSON	TE Connectivity	
MATERIAL SEE BOM	SEE BOM	PRODUCT SPEC -	NAME SHEARBOLT TERMINAL, ALUMINUM, 2 HOLE PAD, 350 KCMIL CPT STR TO 750 KCMIL STD STR CONDUCTORS	
CUSTOMER DRAWING		WEIGHT -	SIZE A2	CAGE CODE 00779
		SCALE NTS	DRAWING NO C-1099369	RESTRICTED TO